

BU-18HD

Full HD Button Camera
2 Mega Pixel Sensor
1080p Ready!

Feature

- 2MP CMOS covert pinhole button camera
- 1080p, 0.03 Lux@F2.0(50IRE) low light sensitivity
- Self-contained invisible microphone, single cable design
- Adopts lightweight, ultra-thin design cables
- Provides flexibility to disguise in different application
- Low cost while with high performance solution

Specification

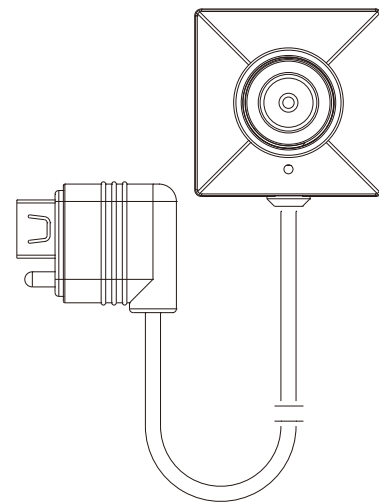
Built in Image Sensor	1/2.9" progressive CMOS Sensor
Sensor Resolution	2000x1121
Pixel Size	2.8um(H) * 2.8um(V)
Digital Picture Resolution	(H)1920x(V)1080
Sensor Sensitivity	0.03 Lux @ F 2.0
Lens F/No.	F2.0
Focal Length	4.3mm
Angle of view	78°
Depth of View	50 cm ~ ∞
Electronic Shutter	1/8 ~ 1/30,000
Video Output	I2C Data
Power Supply Current	220mA
Operating Temperature	-10°C ~ 60°C
Operating Humidity	20 ~ 90%
Storage Temperature	-30°C ~ 80°C
Power Input	DC 3.3V± 5%
Dimension	25x25x17mm
Weight	18g

- ※ BU-18HD is not compatible with LawMate RF wireless transmitters.
- ※ BU-18HD is only compatible with PV-500HDW & PV-500HDW Pro.

*Specifications are subject to change without prior notice.

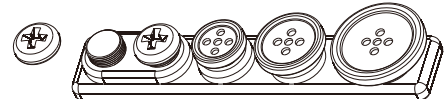


Product Sketch



Standard Accessories

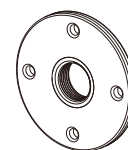
Button Screw Kit



3M Double Coated Tape



DIY Lens cover button



User's manual

CE/FCC Certification In Process